

McCULLOCH[®]

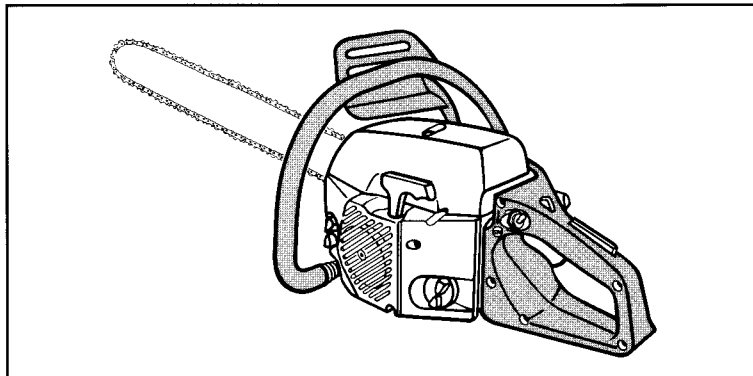
PARTNER

ILLUSTRATED PARTS LIST

PROMAC 40-46 PARTNER P461

SERIAL NUMBER PREFIX 04

CE



March 2000

C	1	240872	McCulloch	1	80	240328	2	
C		241937		1	81	240334	M4x40	2
	2	●240288		1	82	240262		1
	3	●240369	McCulloch	1	83	235248		2
		●241936		1	84	235216		2
B	4	●240311		1	B 85	240263		1
	5	●227349		1	86	240322		2
	6	●240326		1	87	240338	40cc	1
	7	●227351		1		240871	46cc	1
	8	●227352		1		241935	P461	1
	9	●240928		1	88	240320		1
	10	●240929		1	89	240321		1
	11	●240690		1	90	236936		1
	12	●227521		1	91	240272		1
	13	●229394		1	C 92	240344		1
	14	●227524		1	93	240291		1
	15	●235367		1	94	●240297		1
	16	●235811		1	95	●236981		2
	17	●240863		3	96	240299		1
	18	●235500		2	97	236997	M5x30	1
	19	●227259		1	98	227626		2
C	20	●240360		1	99	227567	M5x70	2
A	21	227762		2	C 100	240359		1
C	22	240339		1	C 101	240855		1
C	23	●240301		1	102	248056		1
C	24	●240302		1	103	●235899		1
	25	●240303		1	C 104	●228872		1
C	26	●240367		1	105	●235900		1
	27	●240862		5	105A	●236728		1
	28	229524		1	105B	●241597		2
C	29	240859		1	106	240312		1
	30	227259		1	107	241255	40cc	1
	31	240845	M5x16	1		241256	46cc	1
C	32	247259		1	C 108	●235742	40cc	1
	33	240315		2	C	●227329	46cc	1
	34	235248		2	C 109	227631		1
	35	235802	M5x14	2	110	235672		1
	36	235806	M5x20	2	111	248057		1
	37	240281		1	112	●241253		1
B	38	241231	40cc	1	113	●228872		1
B		240289	46cc	1	B 114	●240349	M8/M6	2
B	39	240285		1	117	227259		1
	40	240354		1	118	235806	M5x20	1
	41	235248		1	A 119	240317		1
	42	235802	M5x14	1	B 120	●229208		1
	43	235248		1	B 121	●240205		1
	44	235803	M5x25	1	B 122	●240318		1
	45	227259		1	123	235642		1
	46	235802	M5x14	1	124	240310		1
C	47	240336	McCulloch	1	125	240333		1
C		241933		1	126	240309		1
	48	●240316	M5x35	1	C 127	240363		1
	49	●240921		1	B 128	240286		1
	50	●229208		1	129	241098		1
	51	●240884		1	C 130	241096		1
B	52	●235372		1	131	240867		1
A	53	●235042		1	132	240920		1
B	54	●235040		1	133	●240300		1
	55	235248		3	B 134	●240868		1
	56	236997	M5x30	3	C 135	●235675		1
B	57	240866		1	A 136	●240452		1
C	58	●235511		1	C 137	●227582		1
B	59	240865		1	138	●229716		1
C	60	●235510		1	139	241099		1
	61	247290		1	B 141	240260	3/8"	1
	62	●240358		3	B	240266	.325"	1
	63	235218		1	142	240323		1
	64	241204		1	143	241275		1
B	65	●235516		2	144	241285		1
B	66	●235517		2	145	229250		2
B	67	●235518		2	146	236997	M5x30	4
C	68	241291		1	B 147	241100		1
C	69	●240370		1	C 148	●228854		1
C	70	FIGURE 2		1	149	●240308		1
	71	227565	M5x25	4	150	●240874		1
	72	236934		1	C 151	225062		1
A	73	92879		1	152	241272		1
B	74	240345		1	153	241274		1
	75	240271	40cc	1	B 154	●240926		3
		240261	46cc	1	155	●227359		3
	76	236997	M5x30	2	156	●241273		1
	77	236529		2	157	235248		1
A	78	227692		1	158	228139		1
C	79	FIGURE 3		1	159	241162		1
					160	241984		1

B Kit gasket PN 247249 (*-58-60-74-78-92-106-125)
 B Kit guarnizioni PN 247249 (*-58-60-74-78-92-106-125)
 B Kit joint PN 247249 (*-58-60-74-78-92-106-125)
 B Kit dichtung PN 247249 (*-58-60-74-78-92-106-125)

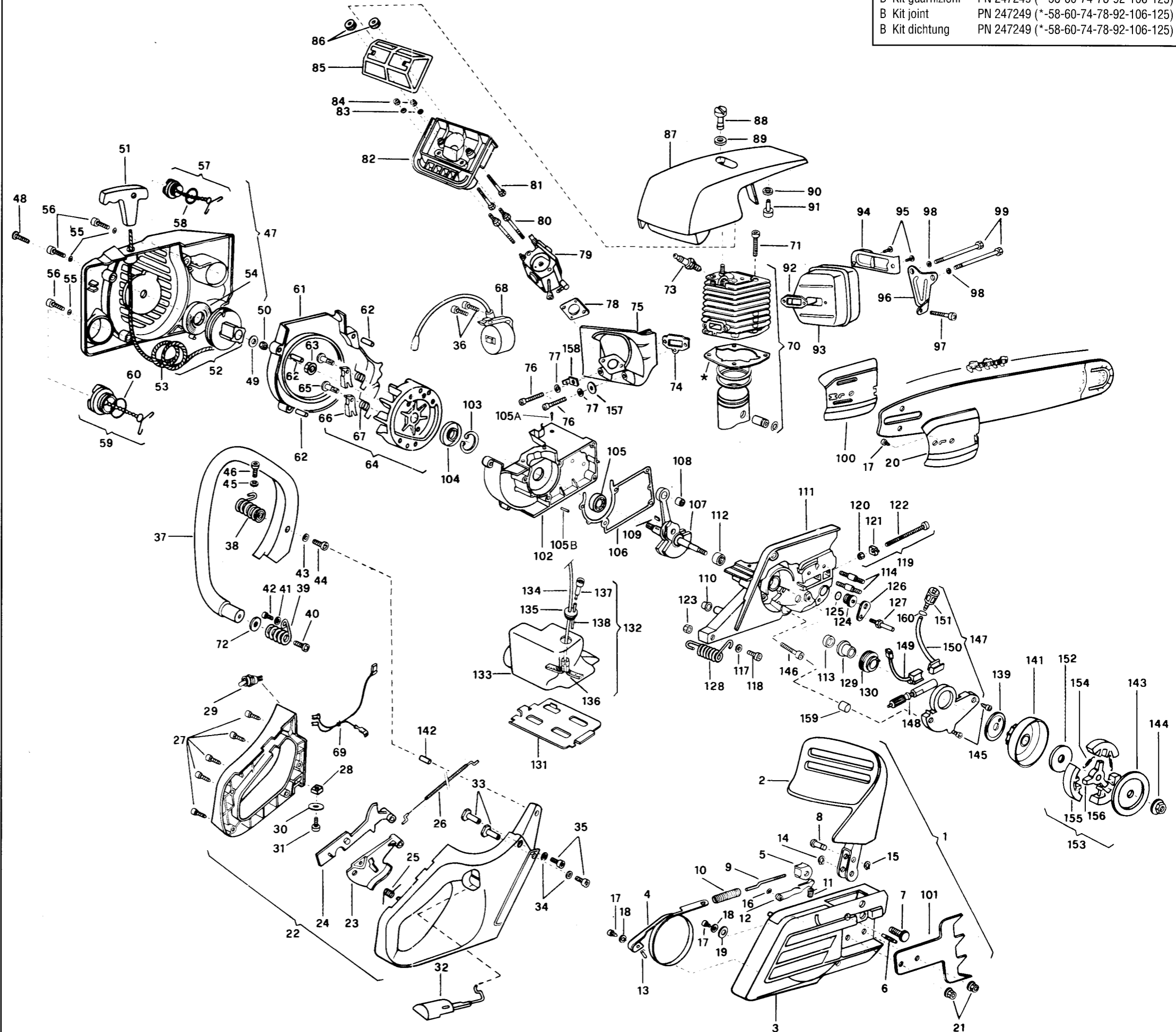


FIGURE 1

A = high moving - alta rotazione - haute demande - große Nachfrage
 B = medium moving - media rotazione - moyenne demande - mittelmäßige Nachfrage
 C = slow moving - bassa rotazione - basse demande - wenige Nachfrage

	40 cc		<table border="0"> <tr><td>C</td><td>1</td><td></td><td>247254</td><td>1</td></tr> <tr><td>B</td><td>2</td><td>•</td><td>240343</td><td>1</td></tr> <tr><td>C</td><td>3</td><td>•</td><td>247257</td><td>1</td></tr> <tr><td></td><td>4</td><td>••</td><td>235008</td><td>2</td></tr> <tr><td>B</td><td>5</td><td>••</td><td>240085</td><td>2</td></tr> </table>	C	1		247254	1	B	2	•	240343	1	C	3	•	247257	1		4	••	235008	2	B	5	••	240085	2
	C	1		247254	1																							
B	2	•	240343	1																								
C	3	•	247257	1																								
	4	••	235008	2																								
B	5	••	240085	2																								
46 cc		<table border="0"> <tr><td>C</td><td>1</td><td></td><td>247255</td><td>1</td></tr> <tr><td>B</td><td>2</td><td>•</td><td>240343</td><td>1</td></tr> <tr><td>C</td><td>3</td><td>•</td><td>247258</td><td>1</td></tr> <tr><td></td><td>4</td><td>••</td><td>229544</td><td>2</td></tr> <tr><td>B</td><td>5</td><td>••</td><td>240353</td><td>1</td></tr> </table>	C	1		247255	1	B	2	•	240343	1	C	3	•	247258	1		4	••	229544	2	B	5	••	240353	1	
C	1		247255	1																								
B	2	•	240343	1																								
C	3	•	247258	1																								
	4	••	229544	2																								
B	5	••	240353	1																								

FIGURE 2

WALBRO WT 414				
C	-		240350	carbur.
B	1	•	247260	1
A	2	••	229191	1
	3	•	247261	1
	4	•	237481	1
	5	•	247388	H 1
	6	•	246540	L 1
	7	•	229601	2
C	8	•	247387	1

FIGURE 3

A = high moving - alta rotazione - haute demande - große Nachfrage
 B = medium moving - media rotazione - moyenne demande - mittelmäßige Nachfrage
 C = slow moving - bassa rotazione - basse demande - wenige Nachfrage